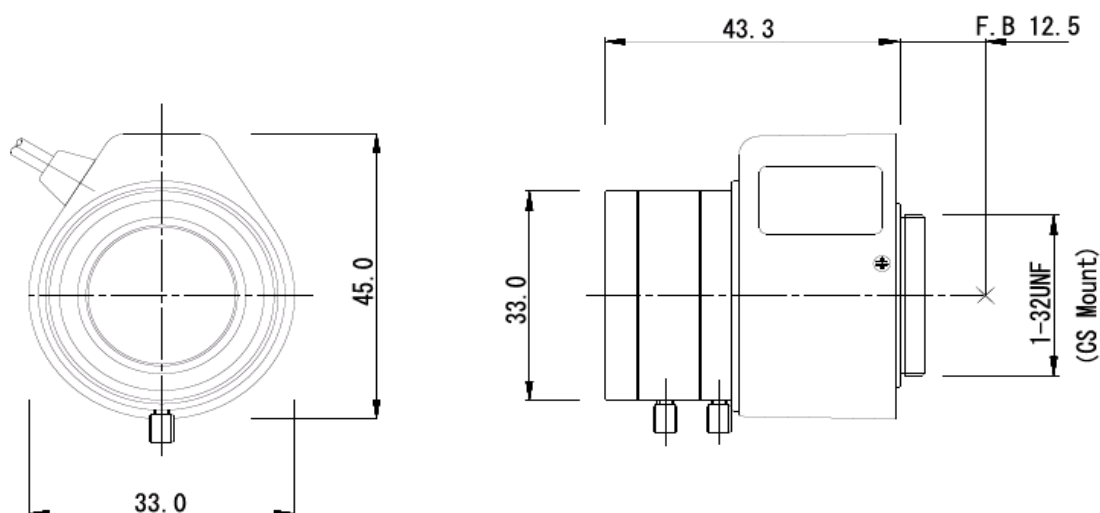


# Kawaden CCTV LENS

## KV3308DIR

**User friendly and comfortable  
3.3-8mm IR corrected lens**

**IR corrected Vari Focal Lens  
3.3-8mm F1.4-360**



### Specifications

Model No.	KV3308DIR		Flange Back Length	12.5mm	
Focal Length	3.3-8mm		M.O.D.	0.3m	
Max. Aperture Ratio	1: 1.4-360		Dimensions	39(W) x 45(H) x 45.3(L) mm	
Image Format	1/3 inch		Weight	47g	
Mount	CS mount		Operating Voltage	Open	Less than 4.0V
Operation	Iris	DC Auto Iris		Close	More than 0.5V
	Focus	Manual	Operating Temperature	-10°C - +50°C	
	Zoom	Manual	Wave Length Covered	400nm - 900nm	
Angle of View (1/3")	D	101.5° - 43.3°			
	H	81.1° - 34.5°			
	V	60.4° - 25.8°			

Specifications are subject to change without notice